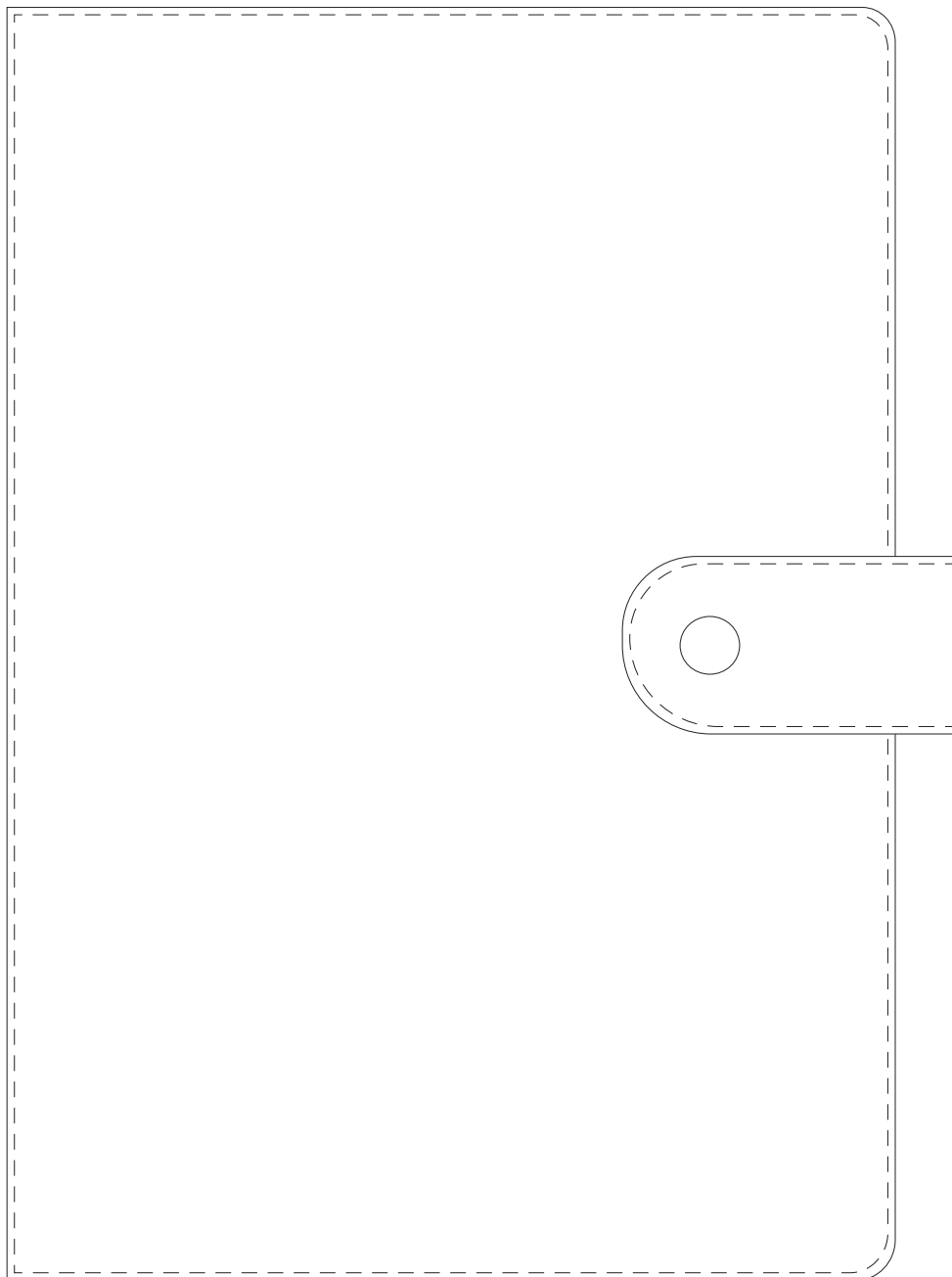


Proof # 1
 Any alterations
 after 2nd proof
 will be charged
 at \$20.00 per
 additional proof



Maximum standard emboss/foil area: 40sq/cm (eg 10x4cm)

80% Scale

A R T W O R K A P P R O V A L

Product Code	NB211R-B-Snap-25	Decoration Method	.
Product Name	Hastings Veleta A5 Notebook	Decoration Size	.
Product Colour	.	# of Colours	.
Quantity	.	# of Positions	.
PMS Print Colours (If applicable) <input type="radio"/> PMS <input type="radio"/> PMS <input type="radio"/> PMS <input type="radio"/> PMS			
Company		PO #	Req.Delivery Date (TBC)
Name		Approved	Yes No
Signature		Approval Date	

So we can proceed with production of your order, please approve ASAP via email or fax. Thank you!